

Technical Report

TR-007

Interfaces and System Configurations for ADSL: Customer Premises

March 1998

ABSTRACT:

This project describes interfaces and system configurations for the ADSL customer premises. It covers electrical interfaces, connectorization, and wiring topologies with emphasis on POTS splitter issues, customer interfaces, and Premises Distribution Networks. Where possible, technical information will be obtained by reference to existing specifications, and by liaison to technical standards groups.

Interfaces/System Configuration for ADSL: Customer Premises

Interfaces and System Configurations for ADSL: Customer Premises

TR-007

March 1998

'1998 Asymmetric Digital Subscriber Line Forum. All Rights Reserved.

ADSL Forum technical reports may be copied, downloaded, stored on a server or otherwise re-distributed in their entirety only.

Notwithstanding anything to the contrary, The ADSL Forum makes no representation or warranty, expressed or implied, concerning this publication, its contents or the completeness, accuracy, or applicability of any information contained in this publication. No liability of any kind shall be assumed by The ADSL Forum as a result of reliance upon any information contained in this publication. The ADSL Forum does not assume any responsibility to update or correct any information in this publication.

The receipt or any use of this document or its contents does not in any way create by implication or otherwise any express or implied license or right to or under any patent, copyright, trademark or trade secret rights which are or may be associated with the ideas, techniques, concepts or expressions contained herein.

Interfaces/System Configuration for ADSL: Customer Premises

TABLE OF CONTENTS

1. INTRODUCTION	5
1.1 STATEMENT OF PROJECT	5
1.2 LIST OF ACRONYMS	5
1.3 ADSL FORUM REFERENCE MODEL	6
1.4 CUSTOMER PREMISES SPECIFIC REFERENCE MODEL	6
1.5 RELEVANT WORK IN OTHER STANDARDS GROUPS OR FORUMS	7
1.5.1 TIE1.4	7
1.5.2 TR41	7
2. TARGET APPLICATIONS AND SYSTEM IMPLICATIONS.....	7
2.1 APPLICATIONS.....	7
2.2 SYSTEM IMPLICATIONS.....	7
3. ATU-R / SPLITTER INSTALLATION.....	8
3.1 GENERAL CONSIDERATIONS.....	8
3.2 POTS SPLITTER	8
3.2.1 Splitter Definition.....	8
3.2.2 POTS Splitter Characteristics.....	9
3.3 ATU-R / SPLITTER CONFIGURATIONS.....	9
3.3.1 ATU-R adjacent to T.E. with Separate POTS Splitter	11
3.3.2 ATU-R adjacent to T.E. and Split POTS Splitter.....	12
3.3.3 ATU-R adjacent to T.E. and Distributed POTS Splitter.....	13
3.3.4 ATU-R with integral POTS splitter adjacent to NID.....	14
3.3.5 ATU-R with integral POTS splitter adjacent to T.E.....	15
3.4 ATU-R DEPLOYED WITHOUT POTS SERVICE	15
4. U-R, POTS-R, U-R2 INTERFACES.....	16
4.1 WIRING CONSIDERATIONS.....	16
4.2 U-R.....	16
4.3 POTS-R.....	16
4.4 CONNECTIONS FOR THE ATU-R	16
5. T-SM INTERFACE.....	17
5.1 SIGNAL SPECIFICATIONS	17
5.2 ISO INTERFACES AND CONNECTORS	18
5.3 BASIC RJ45 INTERFACE.....	19
6. T-PDN INTERFACES - EXISTING PREMISES DISTRIBUTION NETWORKS	20
6.1 BIT SYNCHRONOUS INTERFACES	20
6.2 ETHERNET 10BASET INTERFACE.....	20
6.3 ATM25 INTERFACE.....	20

Interfaces/System Configuration for ADSL: Customer Premises

List of Figures

FIGURE 1. CUSTOMER PREMISES SPECIFIC REFERENCE MODEL.....	6
FIGURE 2. CONCEPTUAL ADSL ATU-R/SPLITTER INSTALLATION.....	8
FIGURE 3. ATU-R ADJACENT TO T.E. AND SEPARATE POTS SPLITTER {LPF & HPF}.....	11
FIGURE 4. ATU-R (W/HPF) ADJACENT TO T.E. AND SPLIT POTS SPLITTER (LPF-ONLY).....	12
FIGURE 5. ATU-R (W/HPF) ADJACENT TO T.E. AND DISTRIBUTED (SPLIT) POTS SPLITTER (LPF-ONLY).....	13
FIGURE 6. ATU-R WITH INTEGRAL POTS SPLITTER (LPF & HPF) ADJACENT TO NID.....	14
FIGURE 7. ATU-R WITH INTEGRAL POTS SPLITTER (LPF & HPF) ADJACENT TO T.E.....	15
FIGURE 8. RJ45 PLUG FOR THE T-SM INTERFACE.....	19
FIGURE 9. ADSL FORUM SYSTEM REFERENCE MODEL.....	21
FIGURE 10. A 1394 -BASED PREMISES DISTRIBUTION NETWORK.....	23
FIGURE 11. USB - A DEDICATED ADSL USB HOST.....	25

1. Introduction

1.1 Statement of project

This project intends to define electrical interfaces, connectorization, and wiring topology for ADSL customer premises installations. Where possible, technical information will be obtained by reference to existing specifications, and by liaison to technical standards groups. The work on this project is limited to addressing the interfaces necessary to support existing single user connections methods as well as multi-user connection methods utilizing Premises Distribution Networks (passive and active) for Bit Synchronous data, ATM data, and Packet data. Future work may be undertaken that addresses the use of emerging Premises Distribution Networks and the interfaces required to support them.

1.2 List of Acronyms

AC	Alternating Current
ADSL	Asymmetric Digital Subscriber Line
AMI	Alternate Mark Inversion
ANSI	American National Standards Institute
ATM	Asynchronous Transfer Mode
ATU-C	ADSL Transmission Unit at the Central Office End
ATU-R	ADSL Transmission Unit at the CPE End
CD	Compact Disk
CPE	Customer Premises Equipment
CEBus	Consumer Electronics Bus
CSMA/CD	Carrier Sense Multiple Access Collision Detect
DVCR	Digital Videocassette Recorder
ETSI	European Telecommunications Standards Institute
HPF	High Pass Filter
HDB3	High Density Bipolar Three
IEEE	Institute of Electrical and Electronics Engineers
I/O	Input Output
ISA	Industry Standard Architecture (A PC bus standard)
ISDN	Integrated Services Digital Network
ITU	International Telecommunications Union
ITU G.703	Physical/Electrical Characteristics of Hierarchical Digital Interfaces
ITU G.704	Synchronous Frame Structures Used at Primary and Secondary Hierarchy Levels
LPF	Low Pass Filter
MDSL	Moderate speed Digital Subscriber Line
NID	Network Interface Device
P1394	An IEEE Serial Bus Standard
PC	Personal Computer
PCI	Peripheral Component Interconnect
PCMCIA	Personal Computer Memory Card International Association
POTS	Plain Old Telephony Service
PSTN	Public Switched Telephone Network
RJ45	10BASE-T Connector Standard for Connecting UTP Cabling
TIA422	A Medium Range (typically up to 300m or more) Serial Data Transmission Standard
SONET	Synchronous Optical Network
T1	A Telecommunications Standard Committee
T1.403	Carrier to Customer Installation DS1 Metallic Interface
T1.413-1995	ANSI Standard for ADSL modems
T1E1.4	An ANSI committee for Interfaces, Network Power & Protection Digital Subscriber Loop Access
TBD	To be determined
T.E.	Terminal Equipment
TPA	P1394 signal link
TPB	P1394 signal link
TR41	User Premises Telecom Requirements Committee
TV	Television
UTP	Unshielded Twisted Pair
WT	Working Text
WT-003	Bit Synchronous Mode Working Text

Interfaces/System Configuration for ADSL: Customer Premises

1.3 ADSL Forum Reference Model

The ADSL Forum System Reference Model is described in Annex A.

1.4 Customer Premises Specific Reference Model

This project utilizes the Customer Premises specific Reference Model as shown in Figure 1. The interfaces identified in this model are logical interfaces and not necessarily physical implementations. Physical topology and implementation is covered in later sections.

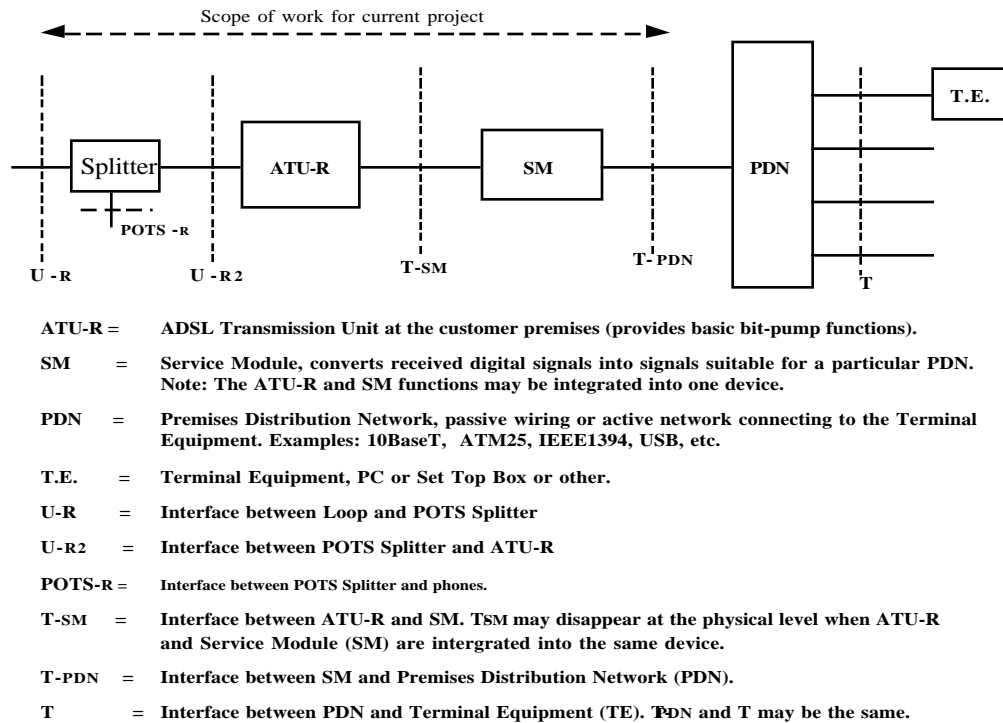


Figure 1 Customer Premises Specific Reference Model

The premises end of a DSL link starts with the access line (twisted-pair telephone line) delineated in the figure above by the U-R interface, and ends with one or more Terminal Equipments (T.E.) (including but not limited to a personal computer or a television) delineated in the figure above by the T interface. The telephone line may or may not be used for Plain Old Telephone Service (POTS) as well as ADSL. If it is used for POTS, then the customer premises installation must include a POTS splitter that provides the POTS-R interface as well as the U-R2 interface.

The ATU-R terminates the access line and provides digital signals at the T-SM interface. A Service Module (SM) may be installed to convert the received digital signals into signals suitable for a particular Premises Distribution Network or Terminal Equipment at the T-PDN interface. The ATU-R and SM functionality may be integrated in a common device, obviating the need for the T-SM interface.

The U-R, POTS-R, U-R2, T-SM, and T-PDN interfaces will be specified in this document.

1.5 Relevant Work in Other Standards Groups or Forums

1.5.1 T1E1.4

ANSI committee T1E1.4 has approved, and ANSI has published, T1.413-1995, an Issue^o1 standard for ADSL. T1.413-1995 does address POTS splitters (although not completely) but does not address premises wiring. Applicable work is incorporated by reference herein.

1.5.2 TR41

TR41 may be pursuing work related to a Reference Architecture, Residential Wiring and a Residential Gateway. No specific information is available for the current issue of this document.

ATM Forum

The ATM Forum Residential Broadband (RBB) Group is working on a specification which includes a definition of an ATM based customer premises distribution network.

2. Target Applications and System Implications

2.1 Applications

The primary applications supported by ADSL will be POTS and data communications and video on demand. These applications require the transport of packet data, ATM data or bit synchronous data. The T-SM interface will depend on the application being supported.

In some cases, POTS may not be used, in which case the POTS splitter and POTS-R interface may not be needed.

2.2 System Implications

Serving these applications will likely involve connecting more than one Terminal Equipment (T.E.) within a premises, with the second, third, or more terminal connected at some time after the installation of the ADSL modem itself. Furthermore, the installation and use of the ADSL modem should be as simple as possible, with the most reuse of existing wiring as possible, and with the least amount of trouble in migrating from one T.E. to another as possible.

3. ATU-R / Splitter Installation

3.1 General Considerations

Conceptually, in the most common case to be considered, the installation of an ADSL modem requires breaking an existing telephone line with active POTS service and attached telephones, inserting a POTS splitter, and then reattaching the premises side POTS wiring back to the POTS splitter (see Figure 2 which depicts both logical and physical attributes). In the US, a Network Interface Device (NID, usually comprising surge protectors) establishes the physical demarcation between network and customer premises. The ability to install the POTS Splitter prior to the ATU-R has particular appeal when the ATU-R is owned and installed by the user and not the network provider.

This project will only consider examples of installing the POTS splitter on the CPE side of the primary protection. Country specific installations of POTS splitters may need to address additional safety regulations.

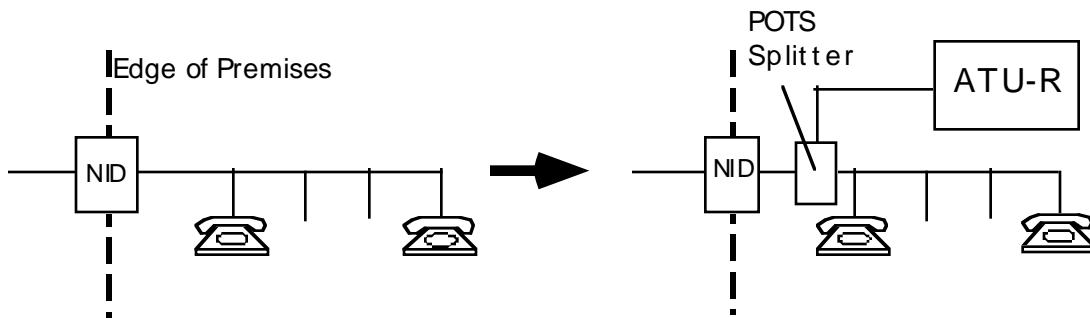


Figure 2. Conceptual ADSL ATU-R/Splitter Installation

3.2 POTS Splitter

3.2.1 Splitter Definition

The POTS splitter, for the purposes of this project, is considered to be the device that splits the POTS signals from the ADSL signals thus preventing the ADSL signals from reaching the telephone devices.

The POTS Splitter may be:

- active or passive, comprise the LPF section and the HPF section or comprise the LPF section only
- adjacent to the NID or housed within the NID
- adjacent to each telephone device, adjacent to the ATU-R or integrated within the ATU-R

The Low Pass Filter (LPF) section contains circuitry that passes POTS frequencies (approx. 0 to 4 kHz ¹) to and from the telephone equipment and blocks the ADSL signal. The POTS Splitter (LPF only variation) may allow for the complete spectrum, including the ADSL signals (above approx. 20 kHz) to pass to the ATU-R.

¹ Out of band signaling tones may need to be passed in some applications (this is outside the scope of this document).

Interfaces/System Configuration for ADSL: Customer Premises

In the case that a High Pass Filter (HPF) section is needed to prevent low frequency, high level POTS signals from entering the ATU-R front end components, the circuitry may be included in and be considered part of the ATU-R or the circuitry may be included as part of POTS Splitter (along with the LPF).

The ATU-R manufacturer should not assume that the HPF has been implemented external to his equipment. It is recommended that all manufactures of ATU-R equipment plan on explicitly implementing the appropriate HPF.

3.2.2 POTS Splitter Characteristics

POTS Splitter characteristics will not be specified in this text. Instead the POTS Splitter is used as an existing system component and is shown along with the other system components such as ATU-R and wiring to comprise the configurations detailed in sections to follow.

The ANSI standard T1.413- 1995 specifies the loop conditions under which the splitter and ADSL must be able to operate without causing significant degradation to the POTS signal and these characteristics will be incorporated in this document by reference.

Work applicable to the POTS Splitters that is completed in other groups , such as ETSI or ITU, will be addressed when specifics are available.

3.3 ATU-R / Splitter Configurations

Various ATU-R/Splitter configurations are discussed in the following sections.

-

Interfaces/System Configuration for ADSL: Customer Premises

- ATU-R adjacent to T.E. with Separate POTS Splitter
- ATU-R adjacent to T.E. and Split POTS Splitter
- ATU-R adjacent to T.E. and Distributed POTS Splitter
- ATU-R with integral POTS splitter adjacent to NID
- ATU-R with integral POTS splitter adjacent to T.E.

A brief introduction for each configuration is presented along with a figure depicting both logical and physical attributes (topology & implementation).

This is followed by a list of advantages and disadvantages for each configuration. These advantages and disadvantages can be utilized in order to choose the configuration that best suits the needs of any particular deployment.

A suggested list of criteria is provided below that when used in conjunction with specific priorities or importance values (as determined by the provider) would allow a selection of the best configuration to be made for any particular ADSL system deployment.

Criteria:

- Type of Splitter - Active or Passive
- Equipment Ownership - Customer or Network owned Splitter, ATU-R
- Network demarcation point
- Failure effects of Splitter, ATU-R
- Installation Complexity
- Testing and Maintenance - Splitter, ATU-R

3.3.1 ATU-R adjacent to T.E. with Separate POTS Splitter

Figure 3 shows a configuration with the POTS splitter separate from the ATU-R. The POTS splitter mounts near the NID while the ATU-R is located at a more convenient installation location, perhaps next to the T.E. Wiring to the ATU-R may be existing or new, depending on the quality of the existing wire and the desired location of the ATU-R.

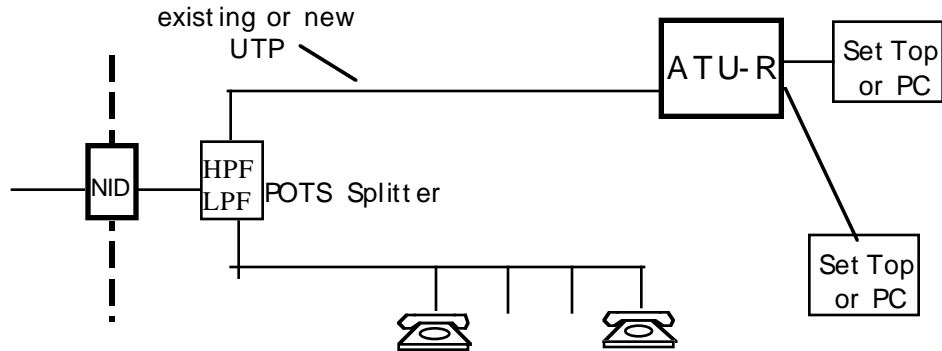


Figure 3. ATU-R adjacent to T.E. and Separate POTS Splitter {LPF & HPF}

Advantages:

- Putting the ATU-R adjacent to or within T.E. ensures proximity to power.
- T-sm interface cabling will be short or non-existent (integral to the T.E.).
- Accessibility- additional T.E. may be connected easily to the ATU-R.
- The POTS splitter can be installed at some time before the ATU-R.
- Isolates the ADSL signal path wiring from the CP POTS wiring imperfections (i.e. bridged lines, nonstandard wiring gauges, etc.) and allows for the reduction of cross-coupled noise².

Disadvantages:

- In countries that require an active POTS splitter, the ATU-R may have to power the splitter over the line or another supply provided.
- Currently, POTS splitter from one manufacturer won't necessarily work with the ADSL modem of another manufacturer. This is primarily due to the required characteristics of the HPF located in the ADSL signal path.

²Cross-coupled noise would again become a factor if a telephone at the set top or PC uses the same cable for connection back to house telephone wiring.

Interfaces/System Configuration for ADSL: Customer Premises

A variant on the POTS splitter is a system where the low pass filter portion of the splitter is physically separate from the high pass filter. Two logical configurations are shown in Figure 4 and Figure 5.

3.3.2 ATU-R adjacent to T.E. and Split POTS Splitter

Figure 4 shows the configuration with the LPF located at the physical split in signal paths. This configuration is as efficient in isolating the premises POTS wiring from the ADSL signal path as the explicit integrated splitter of Figure 3 shown above; however, it offers an advantage because now each manufacture of ATU-R equipment has control of the HPF characteristics. (It is assumed that the LPF requirements are basically the same regardless of a manufacturer's ADSL implementation).

This split POTS Splitter configuration is the most prevalent configuration currently planned to be deployed.

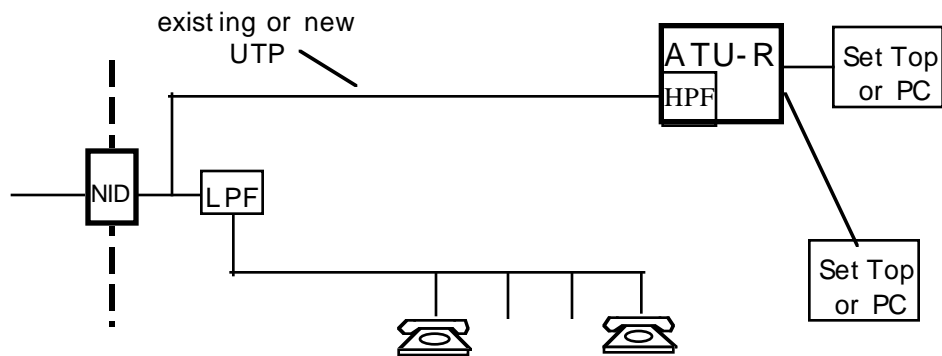


Figure 4. ATU-R (w/HPF) adjacent to T.E. and Split POTS Splitter (LPF-only)

Advantages:

- Putting the ATU-R adjacent to or within T.E. ensures proximity to power.
- T-sm interface cabling will be short or non-existent (integral to the T.E.).
- Accessibility- additional T.E. may be connected easily to the ATU-R.
- The POTS splitter can be installed at some time before the ATU-R.
- Isolates the ADSL signal path wiring from the premises POTS wiring imperfections (i.e. bridged lines, nonstandard wiring gauges, etc.) and allows for the reduction of cross-coupled noise³.
- Increases the probability of compatibility between different manufactures of ATU-R equipment and LPF hardware.

Disadvantages:

- In countries that require an active POTS splitter, the ATU-R may have to power the splitter over the line or another supply be provided.

³Cross-coupled noise would again become a factor if a telephone at the set top or PC uses the same cable for connection back to house telephone wiring.

3.3.3 ATU-R adjacent to T.E. and Distributed POTS Splitter

Figure 5 shows a variant in which the high pass filter is implemented within the ATU-R and low pass filters are installed in front of each telephone (distributed).

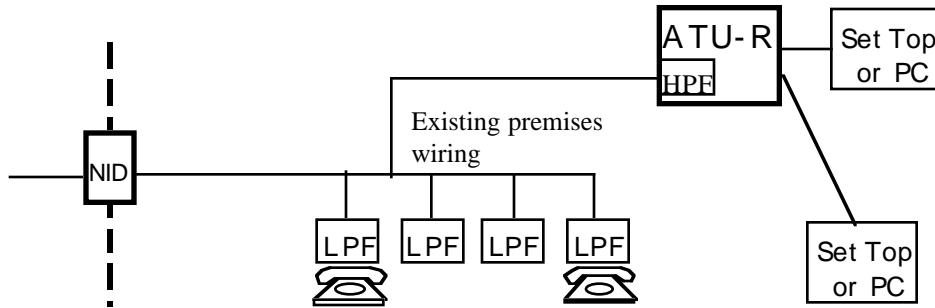


Figure 5. ATU-R (w/HPF) Adjacent to T.E. and Distributed (Split) POTS Splitter (LPF-only)

Advantages:

- Putting the ATU-R adjacent to or within T.E. ensures proximity to power.
- T-sm interface cabling will be short or non-existent (integral to the T.E.).
- Accessibility- additional T.E. may be connected easily to the ATU-R.
- The POTS splitter(s) can be installed at some time before the ATU-R.
- Increases the probability of compatibility between different manufacturers of ATU-R equipment and LPF hardware.
- Obviates reconfiguration of customer premises wiring entirely.

Disadvantages:

- In countries that require an active POTS splitters, the ATU-R may have to power the splitter over the line or another supply be provided.
- Customer premises wiring becomes a potential bridging network that can cause frequency response discontinuities⁴ and is a factor in determining ATU-R performance. The exact nature of the network frequency response is dependent upon the installation wiring each individual CP.
- Improper installation of the LPF at each phone, or the omission of the LPF, can cause significant termination problems on the network, which in turn can have an impact on ATU-R performance.
- Use of unbalanced line within the CP POTS wiring network can result in additional noise ingress into the ATU-R signal spectrum.
- Increased mechanical installation complexities are involved (i.e. wall phones).

⁴ The frequency response discontinuities manifest themselves as increased insertion loss notches and lower than expected ATU-R line termination impedances. The later can upset the ATU-R hybrid networks by introducing driving impedances that can be 50% or more lower than expected.

3.3.4 ATU-R with integral POTS splitter adjacent to NID

Figure 6 shows the installation with the ATU-R adjacent to or close to (within 5 meters) the NID. Except for short stubs to connector blocks, this configuration requires no new telephone wiring at the U interface, but will usually require some longer cabling for the T-sm interface.

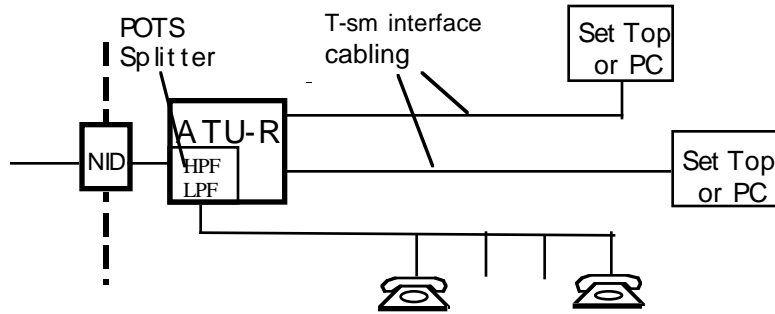


Figure 6. ATU-R with integral POTS Splitter (LPF & HPF) adjacent to NID

Advantages:

- ADSL signals pass over virtually no pre-existing premises telephone wiring thus minimizing potential premises wiring related problems.

Disadvantages:

- NIDs and entrance telephone wiring are usually not favorably located for access to power.
- ATU-Rs placed in attics, basements, garages, or outside premises may be subject to environmental extremes.
- The installation complexity and length of the T-sm interface wiring to the T.E. (This potentially limits the use of some of the Premises Distribution Networks currently in use)

3.3.5 ATU-R with integral POTS splitter adjacent to T.E.

Figure 7 shows a configuration with the ATU-R adjacent to one T.E. and therefore likely removed from the NID by as much as 100 feet. This installation requires cutting the telephone line just after the NID, connecting it to the ATU-R over new or existing premises telephone wiring, and then reconnecting the POTS output to the premises telephone system originally serviced by the wire from the NID. In addition, any telephone connected at the ATU-R location must be reconnected on the POTS side.

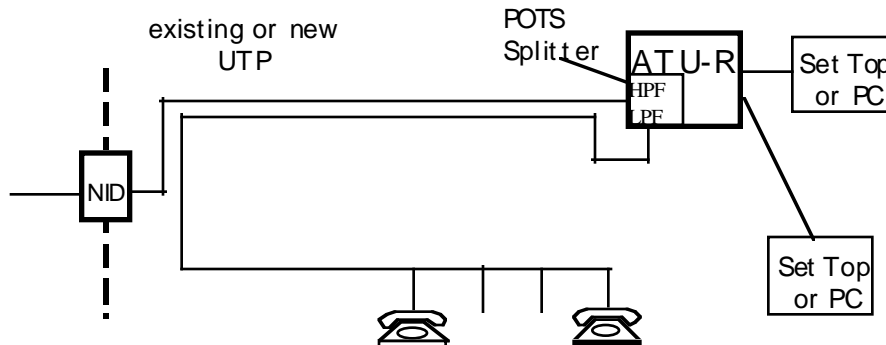


Figure 7. ATU-R with integral POTS Splitter (LPF & HPF) adjacent to T.E.

Advantages:

- Putting the ATU-R adjacent to or within T.E. ensures proximity to power.
- T-sm interface cabling will be short or non-existent (integral to the T.E.).
- Accessibility- additional T.E. may be connected easily to the ATU-R.
- This configuration enables a self-contained ADSL NIC for PCs or Set Top boxes (POTS is supported via integral POTS Splitter)
- Good topology for customer owned (and powered) POTS Splitter (Active)

Disadvantages:

- The premises telephone service now connects through the ATU-R, which could accidentally be disconnected from the line, severing POTS service.
- This configuration may require diverse routing of two wire pairs in order to reduce cross-talk.
- Not good topology for network owned (and powered) POTS Splitter (Active)

3.4 ATU-R deployed without POTS service

In cases where there is no requirement to support existing or new POTS service in addition to deployment of ADSL, installation becomes less complex. Following the example of the preferred configuration, the ATU-R should be located as close as practical to the CPE. In some cases new wiring may need to be installed from the telephone line at the NID or other demarcation to the location where the ATU-R is to be connected.

4. U-R, POTS-R, U-R2 Interfaces

4.1 Wiring Considerations

Recent telephone company experience suggests that the quality of in-home wiring varies so much, and that so much of it falls below a level suitable for ADSL transmission, that new wiring of some form or another will be the rule rather than the exception. However, some of the configurations shown in Section 3.3 may have reused existing premises wiring.

- **New Wiring**
If new wiring is pulled, it should be UTP Category 5 as specified in EIA/TIA 570. A wall plate shall be installed to terminate the new wiring for DSL.
- **Interference and the Use of Existing Wiring**

The running of ADSL signals and POTS signals together through a single two-pair cable, cross-couples POTS noises generated by ringing, trip ringing, pulse dialing, and hook switch signaling into the low level ADSL receive signals. Studies have shown that just a few feet of adjacent wiring causes cross-coupling of sufficient magnitude to cause errors in received data. This problem could be reduced by the high pass filtering in the ATU-R. This liability is also mitigated by error control protocols and by interleaving (the noise appears as impulses), but must be recognized as having potential effects on quality of service. However, there is also concern that there may be detrimental effects (unacceptable noise in the telephone user's ear) from cross-coupling of ADSL signals into the post splitter POTS lines. This potential for crosstalk may affect voice band usage that extends near 4000 Hz such as with V.pcm or other high speed voice band modems.

4.2 U-R

Screw terminals or RJ11 jack/plug as required by specific configuration wired to center pair (pins 3 and 4).

4.3 POTS-R

Screw terminals or RJ11 jack/plug as required by specific configuration wired to center pair (pins 3 and 4).

4.4 Connections for the ATU-R

- **External POTS Splitter as described in Section 3.3.2.**

The U-R2 connector at the wall jack shall be RJ14 (sometimes known as RJ11, 4-wire) with ADSL wired to pins 2 and 5. POTS (optional) will be wired to pins 3 and 4. This wiring precludes the use of a POTS second line on a wire pair connected to pins 2 and 5 for this particular wall jack.

In cases where wiring other than UTP Category 5 is being used, the ADSL signal path from the POTS Splitter to the U-R2 connector at the wall jack must be isolated in a separate sheath. This may require a new cable run.

- **Internal POTS Splitter as described in Sections 3.3.4 and 3.3.5.**

The U-R2 connector at the wall jack shall be as specified in the physical characteristics section of ANSI T1.413-1995.

5. T-sm Interface

If the ATU-R is merely implementing the basic functions of a bit pump, an external T-sm interface will be necessary to interconnect the ATU-R to a separate Service Module. This interface will have to carry those data, timing and control signals necessary to permit operation of a variety of services which may be carried on the ADSL link.

The minimum signal set will be one downstream data circuit plus its clock and one upstream data circuit plus its clock. A number of optional signals may be supported for particular applications:

1. Secondary data channels. These may be simplex or duplex channels and will always have an associated clock. Some duplex channels may have a common clock.
2. Auxiliary data timing signals. Some channels may require an out-of-band frame or byte start signal which is extracted from the ADSL framing structure.
3. Network Timing Reference. Some service modules may require the 8kHz timing reference when this is carried by the ADSL link.
4. Control and Status circuits. The ATU-R and SM may each be required to control the other and/or to receive status indications. These may be global signals or be channel associated.

A basic interface providing the minimum signal set on an RJ45 connector is specified here where this is sufficient. It is recommended that interfaces which provide additional signals use one of the existing ISO data communications interfaces. The data rate of ADSL equipment requires that only those interfaces using balanced circuits should be used. Suitable interfaces are: ISO.4903 (X.21), ISO.2110-Amd1 (TIA.530) or ISO.2593 (V.35). The use of such interfaces will allow existing data communications equipment to connect to an ATU-R without modification. Guidance is given below as to the mapping of the T-sm signals onto these interfaces.

5.1 Signal Specifications

Each simplex data channel consists of one data circuit (DD or DU) and one clock circuit (CD or CU). The clocks are normally generated by the ATU-R, but in some instances the upstream clock (CU) may be generated by the SM. These clocks should have a nominal 50% duty cycle at the maximum data rate. Extended OFF periods may be inserted when burst clocking is being used. The downstream data is generated by the ATU-R and the upstream data by the SM. The data is NRZ encoded with the OFF and ON states representing logic 1 and 0 respectively. Data changes state at OFF to ON clock transitions, with the receiver strobing the data at ON to OFF clock transitions.

In addition to the clock and data signals, each channel or group of channels may have other signals associated with them. ATU-R and SM equipment not generating these signals shall leave these circuits unconnected, and equipment receiving these signals shall provide pullups/pulldowns so as to force an ON state in the event an undriven input.

The channel-associated signals may include:

1. Data Qualifier (QD or QU). A signal driven by the data source to indicate valid data on its transmitter. This signal may be used in place of, or in addition to, burst clocking.
2. Channel Control (CC). A signal generated by the SM to enable channel(s).
3. Channel Indication (CI). A signal generated by the ATU-R to indicate that channel(s) are in a data-forwarding state.
4. Byte Sync (BS). A signal generated by the ATU-R to provide a data alignment signal for byte-structured channels such as G.711 PCM. This signal shall transition from OFF to ON on the byte boundary and may transition from ON to OFF at any other bit boundary.
5. Frame Sync (FS). A signal generated by the ATU-R to provide data alignment for frame-structured channels which do not have an embedded frame delimiter. This signal shall transition from OFF to ON at the frame boundary and may transition from ON to OFF at any other bit boundary.
6. Network Timing Reference (NR). This is a signal with a frequency of 8 kHz which may be carried by some ADSL links.

Interfaces/System Configuration for ADSL: Customer Premises

Global control and indication signals may be used which relate to the entire ADSL link:

1. Equipment Status (SD or SU): A signal generated by either equipment to indicate that it is operational and to qualify all other signals.
2. Link Control (LC): A signal generated by the SM to enable the ADSL link.
3. Link Indication (LI): A signal generated by the ATU-R to indicate that the ADSL link is operational.

Notes:

1. In both the above lists, item 1 is an alternative to 2 plus 3. This equates to the alternative definitions of circuit 108 in ITU-T V.24 as either Data Terminal Ready or Connect Data Set to Line.
2. Where only one pair of channels is supported, Channel Control/Indication and Link Control/Indication are essentially the same signals.
3. No signals relating to flow control or SM-sourced clocks are specified. It cannot be assumed that an ATU-R is capable of either flow control or speed buffering and therefore all data flow must be slaved to the ATU-R clocks. Where SM equipment needs such facilities, they should be provided internally by the SM.

5.2 ISO Interfaces and Connectors

All these interfaces provide one downstream and one upstream channel plus clocks and control signals. The ISO.4903 (X.21) interface uses a 15 pole D connector and supports two control circuits and two timing circuits. The ISO.2110-Amd1 (TIA.530) interface uses either a 25 pole D connector or a 26 pole miniature connector and supports more control circuits. The ISO.2593 (V.35) is an obsolete interface but which is still commonly used. It uses 34 pole connector and supports the same signal set as ISO.2110.

Where ATU-R and SM have different interfaces, inter-working by means of an adapter cable will be possible on circuits where both transmitter and receiver are balanced (which is true for data and clocks on all these interfaces) or where a satisfactory unbalanced to balanced conversion can be made. The ISO and ITU-T standards documents address this issue in more detail.

Interfaces/System Configuration for ADSL: Customer Premises

In the ADSL context, the ATU-R is the DCE and will have female connectors, and the SM is the DTE with male connectors. The mapping of T-sm signals to the V.24 and X.24 signals is suggested below:

T-sm	V.24	X.24	Notes
DD	104 (RXD)	R	
DU	103 (TXD)	T	
CD	115 (RXC)	S	
CU	113 or 114 (TXC)	X	3
QD	109 (DCD)	C	
QU	105 (RTS)	I	
CC	109 (DCD)	C	
CI	105 (RTS)	I	
SD	107 (DSR)	C	
SU	108/2 (DTR)	I	
LC	108/1 (DTR)	C	
LI	107 (DSR)	I	
BS	106 (CTS)	B	2
FS	106 (CTS)	F	2
NR	106 (CTS)	X	1,2

Notes:

1. For this application, the X signal is driven by the DCE towards the DTE.
2. The CTS circuit does not have its usual function as these are timing signals. It was chosen because it is a balanced signal on the ISO.2110-Amd1 interface. When the B, F or X circuit is used to carry these signals, it can only be on either a simplex channel or a full duplex channel pair with identical data rate as circuit S will need to be a common clock.
3. Where CU is generated by the ATU-R, the X signal is driven by the DCE toward the DTE.

5.3 Basic RJ45 Interface

A data and clocks only interface, providing one downstream channel plus one upstream channel, can be implemented using an RJ45 plug. The drivers and receivers should conform to ITU-T V.11 (TIA-422) and be connected as shown:



Figure 8. RJ45 Plug for the T-SM Interface

It may be necessary to use screened RJ45 jacks, plugs and cables to meet radiated emissions requirements.

6. T-PDN Interfaces - existing Premises Distribution Networks

With the addition of a Service Module, the T-SM interface may be converted to a more commonly available interface. When the ATU-R and SM functions are intergrated into one device, the T-SM interface will disappear at the physical level and the applicable interface then becomes the T-PDN.

The Premises Distribution Networks included in the body of this issue will be some of the commonly available PDNs in use for Bit Synchronous (serial interface data communications) Mode, Packet Mode and ATM Mode of operation. Evolving Premises Distribution Networks are presented in Annex B for reference only.

6.1 Bit Synchronous Interfaces

Terminal Equipment such as routers or Set Top boxes may support some of the more common serial interface data communications connections (DTE interfaces) at the T-PDN interface. The Terminal Equipment expects the device attached at the T-PDN interface to act as a Data Communications Equipment (DCE).

The following specifications are incorporated in this document by reference and will not be further detailed herein:

- TIA-530 or v.35 (ISO 2593) for high speed serial DTE interface.
- T1 - 1.544 Mbps ANSI T1.403
- E1 - 2.048 Mbps ITU G.703/G.704

6.2 Ethernet 10BaseT interface

The following specifications are incorporated in this document by reference and will not be further detailed herein:

- 10BaseT on a RJ-45 connector
 - Ethernet Version 2.0: A CSMA/CD Local Area Network Specification
 - ANSI/IEEE 802.3, CSMA/CD Access Method and Physical Layer Specifications

6.3 ATM25 interface

The following specification is incorporated in this document by reference and will not be further detailed herein:

- The ATM Forum Technical Committee, Physical Interface Specification for 25.6 Mb/s over Twisted Pair Cable af-phy-0040.000, November 1995 on a Media Interface Connector specified in ISO/IEC 603-7 (commonly referred to as RJ-45)

Annex A ADSL Forum System Reference Model

Figure 9 below presents the ADSL Forum System Reference Model for ADSL network systems.

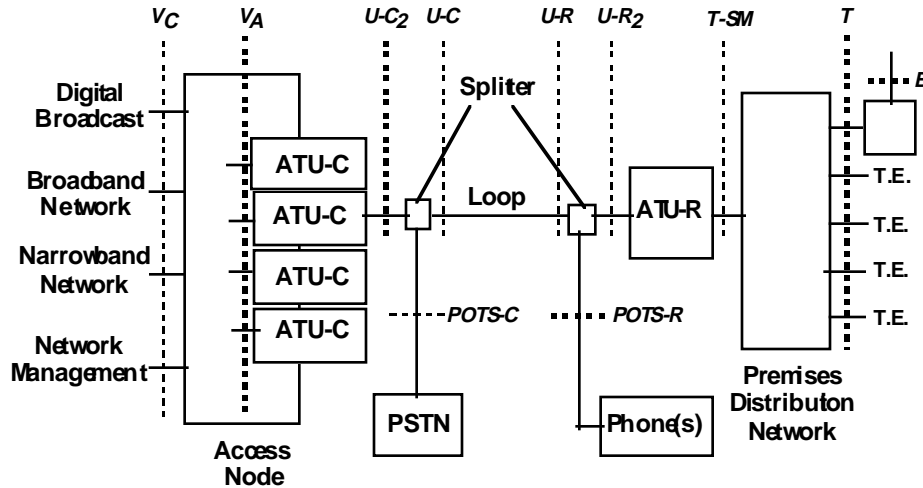


Figure 9. ADSL Forum System Reference Model

ATU-C: ADSL Transmission Unit at the Central Office end. The ATU-C may be integrated within an Access Node.

ATU-R: ADSL transmission Unit at the customer premises end.

Access Node: Concentration point for Broadband and Narrowband data. The Access Node may be located at a Central Office or a remote site. Also, a remote Access Node may subtend from a central access node.

B: Auxiliary data input (such as a satellite feed) to Service Module (such as a Set Top Box).

Broadcast: Broadband data input in simplex mode (typically broadcast video).

Broadband Network: Switching system for data rates above 1.5/2.0 Mbps.

Loop: Twisted-pair copper telephone line.

Narrowband Network: Switching system for data rates at or below 1.5/2.0 Mbps.

POTS: Plain Old Telephone Service.

POTS-C: Interface between PSTN and POTS splitter at network end.

POTS-R: Interface between phones and POTS splitter at premises end.

Premises Distribution Network: System for connecting ATU-R to Service Modules. May be point-point or multi-point; may be passive wiring or an active network. Multi-point may be a bus or star.

PSTN: Public Switched Telephone Network.

Interfaces/System Configuration for ADSL: Customer Premises

Service Module (SM): Performs terminal adaptation functions. Examples are set top boxes, PC interfaces, or LAN router.

Splitter: Filters which separate high frequency (ADSL) and low frequency (POTS) signals at CO end and premises end. The splitter may be integrated into the ATU, physically separated from the ATU, or divided between high pass and low pass, with the low pass function physically separated from the ATU. The provision of POTS splitters and POTS-related functions is optional.

T-SM: Interface between ATU-R and Premises Distribution Network. May be same as T when network is point-point passive wiring. An ATU-R may have more than one type of T-SM interface implemented (e.g., a T1/E1 connection and an Ethernet connection).

T: Interface between Premises Distribution Network and Service Modules. May be same as T-SM when network is point-point passive wiring. Note that T interface may disappear at the physical level when ATU-R is integrated within an Service Module.

U-C: Interface between Loop and ATU-C (analog). Defining both ends of the Loop interface separately arises because of the asymmetry of the signals on the line.

U-C₂: Interface between POTS splitter and ATU-C. Note that at present ANSI T1.413 does not define such an interface and separating the POTS splitter from the ATU-C presents some technical difficulties in standardizing this interface.

U-R: Interface between Loop and ATU-R (analog).

U-R₂: Interface between POTS splitter and ATU-R. Note that at present ANSI T1.413 does not define such an interface and separating the POTS splitter from the ATU-R presents some technical difficulties in standardizing the interface.

V_A: Logical interface between ATU-C and Access Node. As this interface will often be within circuits on a common board, the ADSL Forum does not consider physical V_A interfaces. The V interface may contain STM, ATM, or both transfer modes. In the primitive case of point-point connection between a switch port and an ATU-C (that is, a case without concentration or multiplexing), then the V_A and V_C interfaces become identical (alternatively, the V_A interface disappears).

V_C: Interface between Access Node and network. May have multiple physical connections (as shown) although may also carry all signals across a single physical connection. A digital carrier facility (e.g., a SONET or SDH extension) may be interposed at the V_C interface when the access node and ATU-Cs are located at a remote site. Interface to the PSTN may be a universal tip-ring interface or a multiplexed telephony interface such as specified in Bellcore TR-08 or TR-303. The broadband segment of the V_C interface may be STM switching, ATM switching, or private line type connections.

Annex B Evolving Premises Distribution Networks

The information in this Annex is informative and included to provide visibility into the possible use of emerging PDNs for use with ADSL systems. It is not exclusive of other possible PDNs but provides guidance as to how these emerging PDNs may be used in conjunction with ADSL access at the customer premises.

A high speed digital home network serving the needs of ADSL signal distribution and digital information distribution from other local or network resources can be implemented on a high quality unshielded twisted pair wiring system. This type of infrastructure has been proposed by the CEBus (Consumer Electronics Bus) committee which recommends the installation of Category 5 unshielded twisted pair in a star topology for both voice and data transmission purposes. Category 5 unshielded twisted pair is also the transmission media for 100BaseTX Ethernet and several other systems. Such an infrastructure would be suitable for the ATM based system being proposed by the ATM Forum. Two other possible systems which use different media are described.

IEEE 1394 (Firewire)

IEEE 1394 (1995) is an IEEE serial bus standard originally designed for the inter-connection of computer peripheral devices. The 1394 standard defines a serial interface which can be used to replace traditional PC parallel, serial, or SCSI bus. The 1394 could be very effective at inter-connecting the new generation high capacity and high speed storage and I/O devices. The 1394 standard is designed to handle both isochronous and asynchronous data transmission. A 1394 based Premises Distribution Network (PDN) can be used to distribute ADSL traffic for both data access and video on demand applications, subject to the limitations described below.

The current 1394 standard requires the use of a special purpose shielded twisted pair cable. The twisted pair cable consists of two data pairs and one power pair. Each data pair is individually shielded and three pairs are then all shielded together. Hence, there are two signal links (TPA,TPB) on a physical connection. A typical 1394 twisted pair cable is only about 4.5 meters long. That cable length may be just long enough for connecting a local cluster of equipment together, but may be insufficient to provide interconnection between rooms. There is activity aimed at producing a longer reach version of IEEE 1394, a sub-working group has produced a draft document.

This PDN should have a star topology with a 1394 root device at the center of the star, but daisy chaining of 1394 devices is also permitted. Other data traffic from in-house or other access networks can also be shared on this PDN. A gateway/router is used to connect the ADSL to this PDN, but may require a longer reach technology.

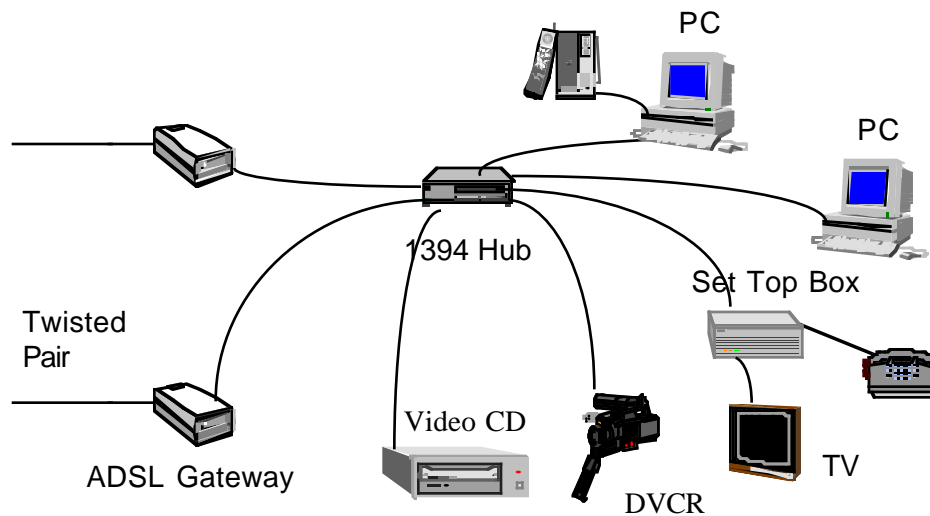


Figure 10. A 1394 -based Premises Distribution Network

Interfaces/System Configuration for ADSL: Customer Premises

Universal Serial Bus

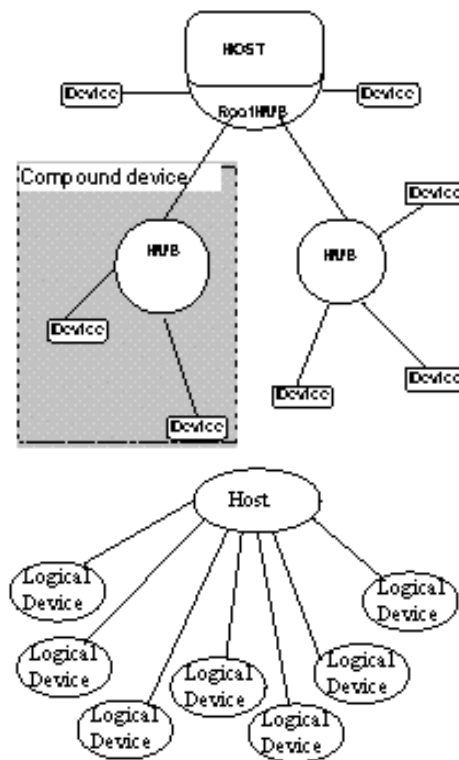
The Universal Serial Bus (USB) standard was originally designed around the PC architecture for the connection of telephony devices such as telephone/fax/modem adapters, answering machines, scanners as well as PDA, keyboards, mice, etc. The standard was specified and the standard document is available through the USB Forum. Additional assistance is also available through the membership of the Forum. The USB can be used to handle isochronous data transmission. A USB based Premises Distribution Network (PDN) might be used to distribute ADSL traffic for both data access and video on demand applications.

The current USB standard requires the use of a 28 AWG shielded twisted pair cable with a non-twisted power distribution pair of a variable gauge ranging from 20 AWG to 28 AWG. The shielding covers both signal and power distribution pairs. The maximum transmission throughput is 12 Mbps for a maximum cable length of 5 meters. A non-shielded cable can also be used for sub-channel, where the transmission rate is 1.5 Mbps, applications.

Data is carried over a USB in packets. The USB employs NRZI data encoding when transmitting packets.

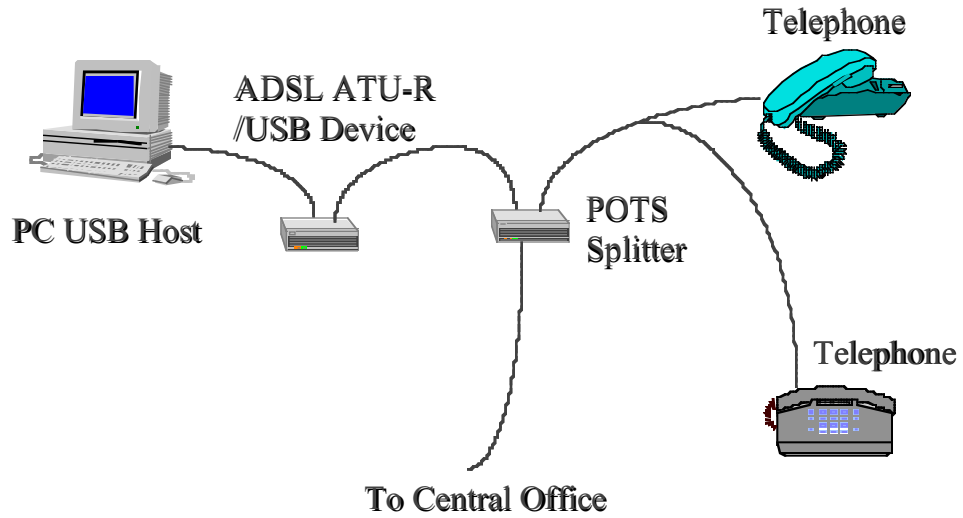
USB Topology

A USB is configured around a host, normally a PC, with devices attached directly or through hubs. A hub can connect a host to multiple devices. All devices are logically connected to the host. There are three layers of communication links between a host and its devices. Shown below are first, the physical topology and then the logical topology.



USB-based PDN for ADSL

Interfaces/System Configuration for ADSL: Customer Premises



Connection to a PC USB host

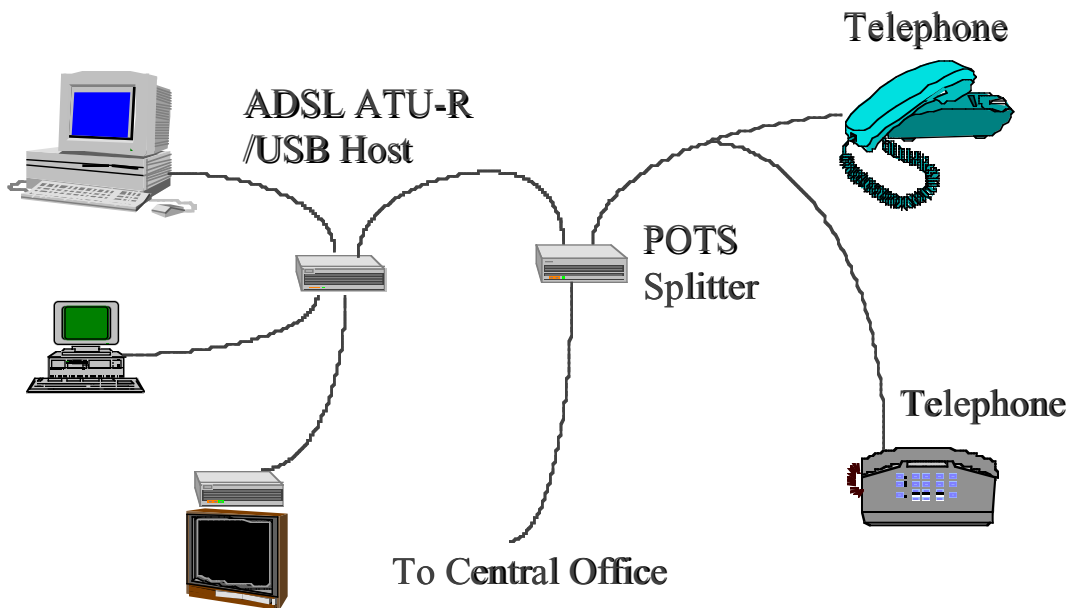


Figure 11. USB - A dedicated ADSL USB host

TR41 Residential Gateway

No specific information is available at this time.